

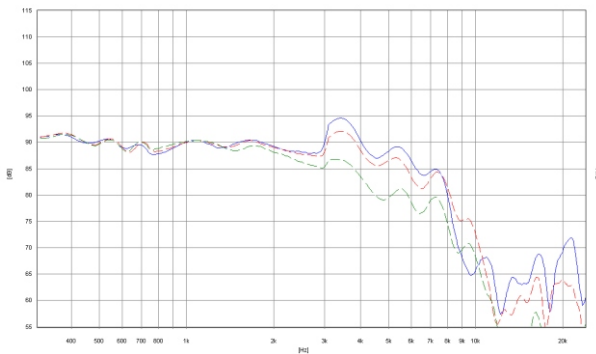
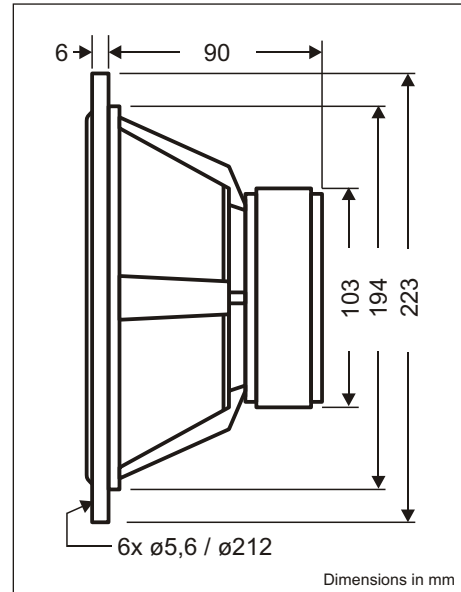
Symphony

Ein 205er Tieftöner mit Aluminium-Spulenträger, wurde für höchste Ansprüche entwickelt.

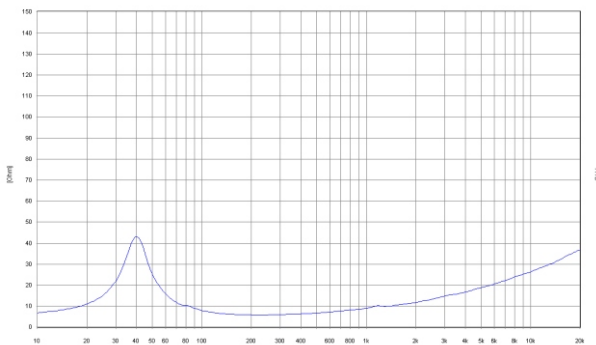
Eine dreischichtige Hexacone-Sandwich-Membrane bekannt für ihre hervorragenden akustischen Eigenschaften ist die beste Voraussetzung für eine authentische Musikwiedergabe.

Advanced high end 8-inch woofer designed for bass and lower midrange performance.

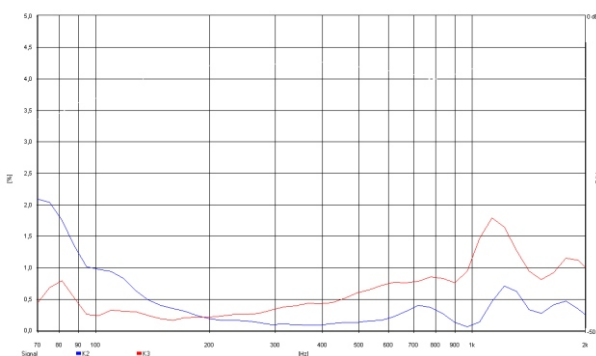
For the hexacone sandwich diaphragm a three-layer sandwich cone is used for extra rigidity and small weight. It impresses by a totally realistic sound reproduction.



The frequency responses measured free field sound pressure in 0, 15 30 degrees angle using endless baffle. Input 2,83 VRMS, microphone distance 1 m



Impedance is measured free air without baffle.



Distortion 1 Watt.

| | | | |
|--|----------------|-----------|-----------------|
| Nominal impedance | Z_n | 8 | |
| DC resistance | R_e | 5.3 | |
| Resonance frequency 1W | f_r | 31 | Hz |
| Resonance frequency TS-parameter-meas. | f_r | 38 | Hz |
| Suspension compliance | C_{MS} | 0.76 | mm/N |
| Mechanical Q | Q_{MS} | 2.89 | |
| Electrical Q | Q_{ES} | 0.40 | |
| Total Q | Q_{TS} | 0.36 | |
| Mechanical resistance | R_{MS} | 1.86 | kg/s |
| Total moving mass (including air mass) | M_{MD} | 22.11 | g |
| Effective piston area | S_D | 232 | cm ² |
| Voice coil diameter | | 37 | mm |
| Voice coil former | | Aluminium | |
| Voice coil length | | 16 | mm |
| Voice coil layers | | 2 | |
| Voice coil inductance | L_e | 0.82 | mH |
| Flux density | B | 1.0 | Tesla |
| Force factor | $B_L \times l$ | 8.04 | Tm |
| Height of the gap | | 8 | mm |
| Diameter of magnet | | 102 | mm |
| Height of magnet | | 22 | mm |
| Weight of speaker | | 2.02 | kg |
| Characteristic SPL 1 Watt / 1 m | | 90 | dB SPL |
| Rated power | | 120 | W |
| Equivalent air vol. of suspension | V_{AS} | 57.52 | dm ³ |

ETON reserves the right to change technical data

07/20