

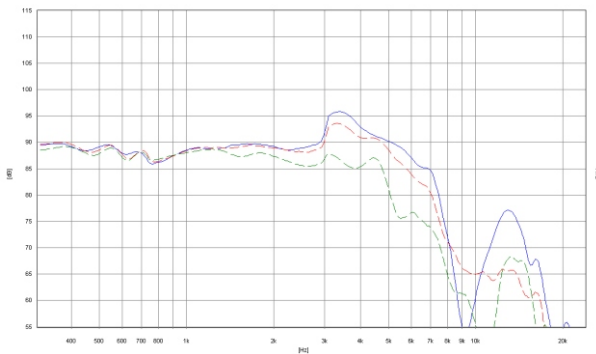
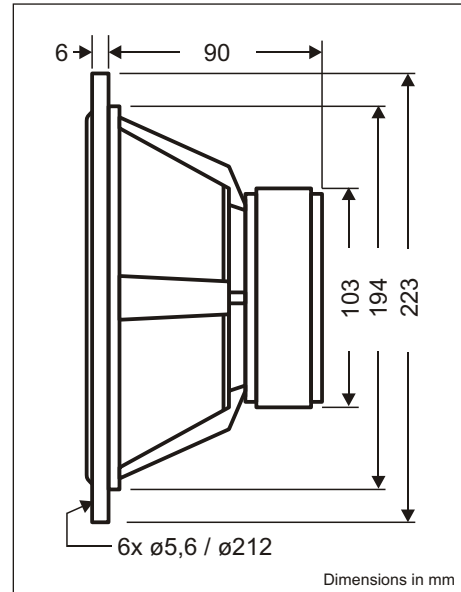
Symphony

Ein 205er Tieftöner mit Kapton-Spulenträger, wurde für höchste Ansprüche entwickelt.

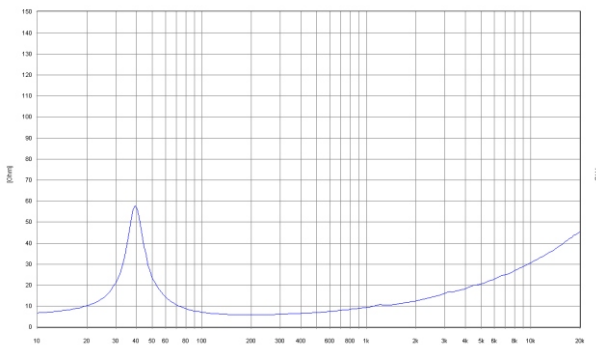
Eine dreischichtige Hexacone-Sandwich-Membrane bekannt für ihre hervorragenden akustischen Eigenschaften ist die beste Voraussetzung für eine authentische Musikwiedergabe.

Advanced high end 8-inch woofer capton voice coil former designed for bass and lower midrange performance.

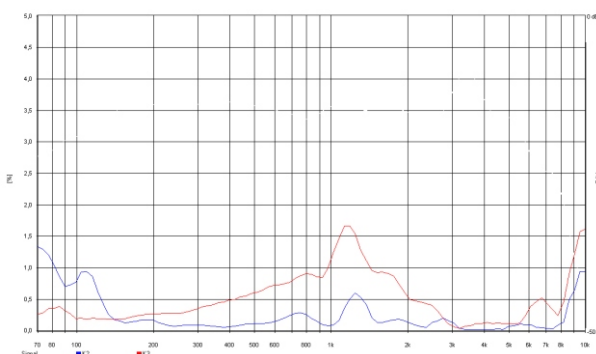
For the hexacone sandwich diaphragm a three-layer sandwich cone is used for extra rigidity and small weight. It impresses by a totally realistic sound reproduction.



The frequency responses measured free field sound pressure in 0, 15 30 degrees angle using endless baffle. Input 2,83 VRMS, microphone distance 1 m



Impedance is measured free air without baffle.



Distortion 1 Watt.

Nominal impedance	Z_n	8	
DC resistance	R_e	5.4	
Resonance frequency 1W	f_r	32	Hz
Resonance frequency TS-parameter-meas.	f_r	40	Hz
Suspension compliance	C_{MS}	0.68	mm/N
Mechanical Q	Q_{MS}	5.45	
Electrical Q	Q_{ES}	0.47	
Total Q	Q_{TS}	0.43	
Mechanical resistance	R_{MS}	1.07	kg/s
Total moving mass (including air mass)	M_{MD}	23.11	g
Effective piston area	S_D	232	cm ²
Voice coil diameter		37	mm
Voice coil former		Kapton	
Voice coil length		16	mm
Voice coil layers		2	
Voice coil inductance	L_e	0.84	mH
Flux density	B	1.0	Tesla
Force factor	$B_L \times l$	8.18	Tm
Height of the gap		8	mm
Diameter of magnet		102	mm
Height of magnet		22	mm
Weight of speaker		2.02	kg
Characteristic SPL 1 Watt / 1 m		90	dB SPL
Rated power		120	W
Equivalent air vol. of suspension	V_{AS}	51.60	dm ³
ETON reserves the right to change technical data			07/20